

SECURITY NEWS

SECURITY NEWS & INFORMATION FOR PROFESSIONAL MANAGERS • VOLUME 6 ISSUE 2

OUR COMMITMENT

As a Security Professional, it is our job to assist you in performing your security related duties. We desire to be a genuine asset to your firm and to become an important member of your management team. Our goal is to assist you in solving and preventing security problems so that you can be more productive. Ultimately we would like to help you increase security, decrease risk and help you control or reduce your ongoing security related operating expenses. We recognize that physical security is only a small part of your overall responsibility. But for us, your security is our primary concern.

SECURITY MANAGEMENT

How to Break-In Without Attacking the Lock (And What You Can Do to Prevent It)

There is more to security than just your locks. Here are three things to check to make sure your doors are secure.

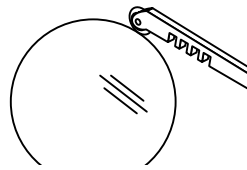
Are your doors designed so the lock cannot be operated after breaking or cutting out a glass panel?

Criminals have been known to use glass cutters to cut the windows on doors. They cut a hole so they can reach through and unlock the door.

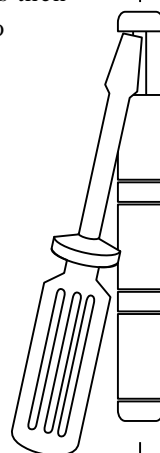
You must use double sided locks on any door with glass nearby. If fire codes do not allow you to use double-keyed deadbolts then an auxiliary alarm must be used to detect any glass break attempts.

Do your exterior doors have non-removable hinge pins?

If you have doors that open out, the hinge pins are on the outside of the door. Burglars can simply slide the pins up, out of the hinges and swing the door open on the opposite side of the lock. To prevent this, make sure your hinges have set screws which lock the hinge pin in place.



A glass cutter makes it easy to reach through the glass to open the door.



The Hinges on Your Exterior Doors May Have Removable Pins.

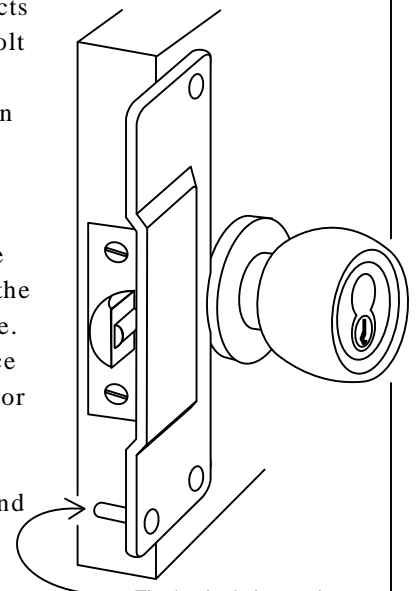
Is the door frame constructed so that the door cannot be forced open by spreading the frame?

Crow bars can be placed between a door and a door frame and can often spread the frame far enough that the bolt will swing free of the door jamb.

To prevent door spreading you should use a latch guard with a jamb pin. The latch guard is attached to the door and

protects the bolt from prying. When the door closes, the jamb pin fits

into a hole drilled in the door frame. This device ties the door and the frame together and virtually eliminates any chance of spreading.



The jamb pin keeps the door from being spread away from the frame.

For more information on improving your "door" security, please feel free to call our office for additional suggestions.